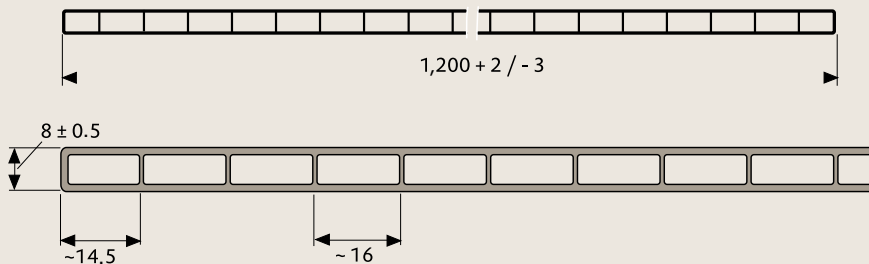


## PLEXIGLAS® Resist SDP 8/1200-16

### Product Description



Section of PLEXIGLAS® Resist SDP 8 (Dimensions in mm)

#### Product and Benefits

PLEXIGLAS® Resist\* SDP 8 is a light-transmitting, heat-insulating and highly weather-resistant double-skin sheet made of impact-modified acrylic (polymethyl methacrylate, PMMA).

It is used mainly for glazing in private buildings and factories whenever multi-skin PMMA sheets are required to show exceptional impact resistance, hail resistance and toughness, combined with ease of construction.

The PLEXIGLAS® Resist SDP 8 double-skin sheet offers the user major advantages:

- **impact resistance** during transportation, handling and installation,
- **hail resistance** with a durably guaranteed energy value of 1 joule.

We guarantee that PLEXIGLAS® Resist will show no yellowing and will retain a high level of light transmission for 30 years. For information on further guarantees, go to [www.plexiglas.net](http://www.plexiglas.net).

#### NO DROP Coating

When installed with the water-dispersing **NO DROP\*\* coating** on one side facing upwards/outwards, this offers the advantages that the NO DROP coating ensures a better cleaning effect and more rapid drying in wet weather.

When installed facing downwards/inwards, any condensation flows off as a continuous film, preventing uncontrolled dripping and letting more light into the glazed area.

The NO DROP coating is covered by a protective layer applied during manufacture. This is washed off by rainwater or condensation, thus activating the NO DROP coating. The protective layer can also be removed with water and a sponge or by using a hose.

\*) Europ. Patent 733 754

\*\*) Europ. Patent 149 182



The sheet is completely protected against UV radiation by the „Naturally UV-Stable Technology.“



### Loadbearing capacity

As flat glazing supported on all sides, the multi-skin sheet with the width of 1,200 mm requires **crosswise supports spaced at 2.7 m** for the load of 750 N/m<sup>2</sup>.

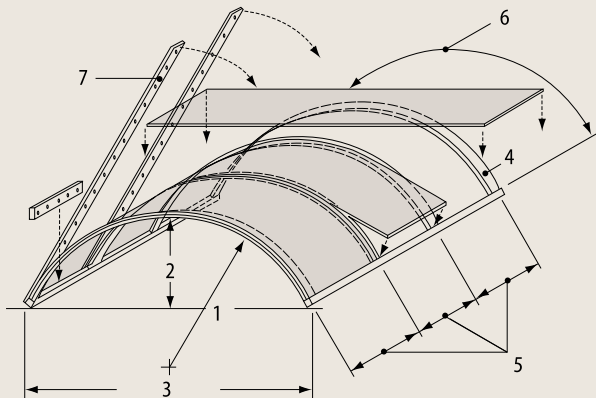
### Cold-Curving

For roof glazing in the form of barrel vaults, the multi-skin sheets are usually **cold-curved** over the regularly shaped circular (metal) hoops. A high loadbearing capacity is obtained at small radii. The **minimum cold-curving radius** for PLEXIGLAS® Resist SDP 8 is **1,200 mm (= 150 x thickness)**.

When spacing the hoops, the expansion and the rebate or clamping depth of at least 15 mm must be borne in mind.

### Fire Behavior

- The fire behavior of PLEXIGLAS® is rated as European Class E according to DIN EN 13501.
- PLEXIGLAS® burns almost entirely without smoke according to DIN 4102 and is easily extinguished.
- The smoke gases produced by PLEXIGLAS® are neither acutely toxic according to DIN 53436 nor corrosive according to DIN VDE 0482-267.
- Roof surfaces glazed with PLEXIGLAS® open up by melting in the event of fire, allowing smoke and heat to escape.



1 = Radius  
2 = Pitch

3 = Span  
4 = Hoop

5 = Hoop spacing  
6 = Arc length  
7 = Clamping bar

### Technical Data (Typical Values)

Available lengths	2,000 to 7,000 mm
<b>Light transmittance <math>\tau_{D65}</math> (UV-absorbing)</b>	
Clear 00721 NO DROP	~ 84 %
White W1621 (on request)	~ 80 %
<b>Total energy transmittance <math>g</math></b>	
Clear 00721 NO DROP	~ 82 %
White W1621 (on request)	~ 79 %
U-value	3.4 W/m <sup>2</sup> K
Coefficient of linear thermal expansion $\alpha$	0.09 mm/m °C
Possible expansion due to heat and moisture	ca. 6 mm/m
Max. permanent service temperature without load	70 °C
Weighted sound reduction index (estimated)	ca. 23 dB
Minimum permissible cold-curving radius	1,200 mm

\* = registered trademark PLEXIGLAS is a registered trademark of Evonik Röhm GmbH, Darmstadt, Germany.

Certified to DIN EN ISO 9001 (Quality) and DIN EN ISO 14001 (Environment)

Evonik Industries is a worldwide manufacturer of PMMA products sold under the PLEXIGLAS® trademark on the European, Asian, African and Australian continents and under the ACRYLITE® trademark in the Americas.

This information and all further technical advice is based on our present knowledge and experience. However, it implies no liability or other legal responsibility on our part, also with regard to existing third party intellectual property rights, especially patent rights. In particular, no warranty, whether express or implied, or guarantee of product properties in the legal sense is intended or implied. We reserve the right to make any changes according to technological progress or further developments. The customer is not released from the obligation to conduct careful inspection and testing of incoming goods. Performance of the product described herein should be verified by testing, which should be carried out only by qualified experts in the sole responsibility of a customer. Reference to trade names used by other companies is neither a recommendation, nor does it imply that similar products could not be used.

### Evonik Industries AG

Acrylic Polymers

Kirschenallee, 64293 Darmstadt, Germany

info@plexiglas.net www.plexiglas.net www.evonik.com